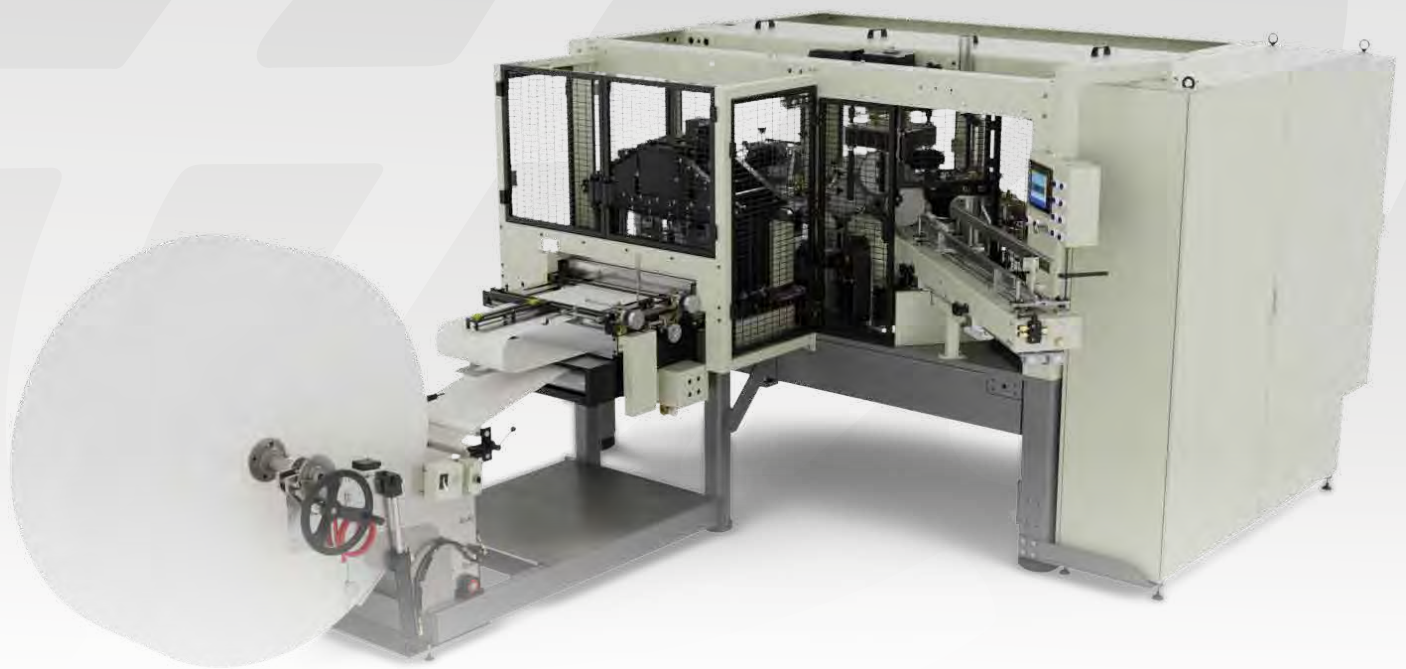




OPENING OPPORTUNITIES

Expand your services with convolute paperboard lids



PL 300

2-Piece Paperboard Lid Forming Machine



MORE THAN A LID, YOUR OPPORTUNITY TO EXPAND

Built upon decades of engineering expertise and service, the **PL 300** from Paper Machinery Corporation sets the standard for paperboard lid forming machines and allows you to expand the services you provide. The **PL 300** features unrivaled flexibility and agility to quickly produce durable 2-piece convolute paperboard lids that help create a better, more sustainable tomorrow.

MACHINE SPECIFICATIONS

SPEED: 150 lids per minute

ROUND LID DIAMETER: 2.5 in. (63,5 mm) – 6.5 in. (165,1 mm) (inside lower ring in-curl)

LARGEST NON-ROUND LID: 4.4 in. (112 mm) – 7.3 in. (185,4 mm) cannot exceed 20.5 in. side wall strip length

MAXIMUM SIDE WALL RING LENGTH: 20.5 in. (520,7 mm)

MINIMUM TOP DEPTH: 0.28 in. (7 mm)

RING STOCK THICKNESS: 0.015 in. to 0.025 in. standard cup stack

DISK STOCK THICKNESS: 0.015 in. to 0.025 in. standard cup stack

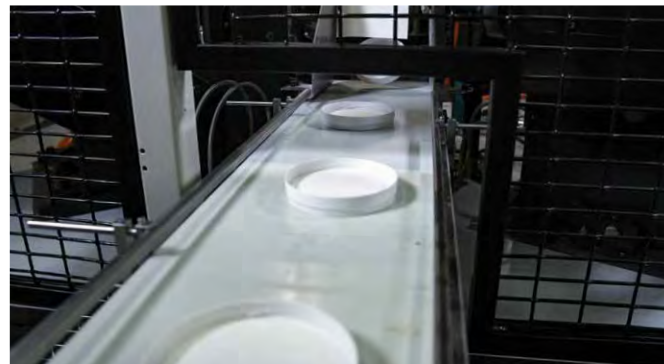
EXTEND YOUR SERVICES TO NEW MARKETS

With global developments in the food service industry, there's increasing demand to expand your services with retail and food service companies to help manufacture finished packaging in a wide variety of shapes and sizes. The **PL 300** creates high-quality paperboard lids that are strong and durable—helping distribute products in the Fast Moving Consumer Goods (FMCG) category.



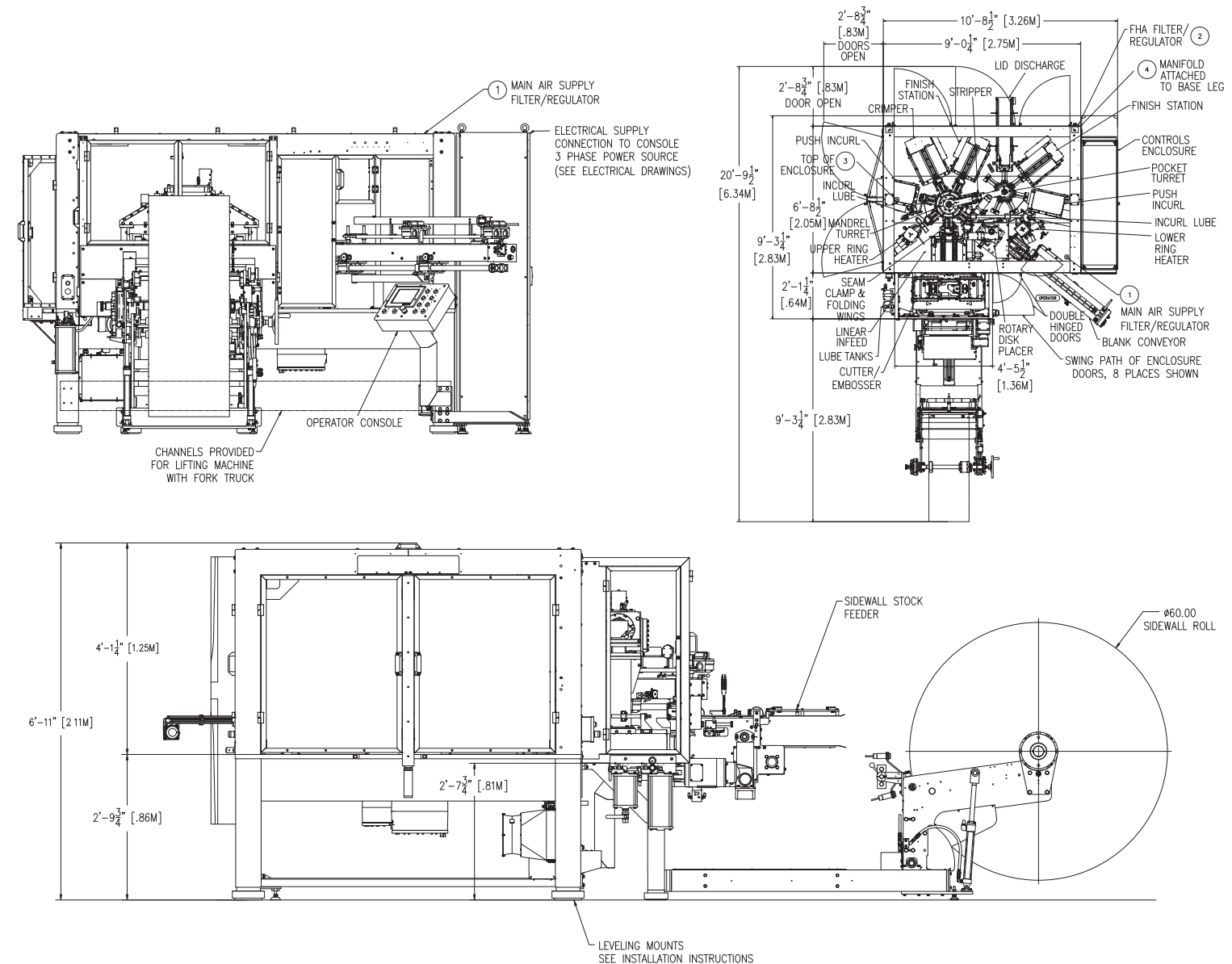
EFFICIENT AND FLEXIBLE

For paperboard cups or containers of various shapes and sizes up to 48 ounces, the **PL 300** produces lids at speeds up to 170 per minute. Its small footprint saves space on the shop floor as compared to a winding process, and its ability to add an audible snap-and-lock feature to the inside of lids ensures a secure container fit that also enhances stacked storage methods. The **PL 300** is built on a servo platform with individual Bosch motors for each station, providing added efficiency during operations as opposed to the use of traditional mechanical motors.



TAILORED FOR YOUR NEEDS

Optimized for use with high-impact printed graphics, the **PL 300** features options for either blank-fed or roll-fed infeed platforms while also supporting both offset and flexo printed material for enhanced visual fidelity. With crimped, flat or rounded edges, its push incurl, crimp, and finishing stations are designed to achieve the desired look and feel. The **PL 300** can also add a snap-and-lock feature to the inside of the lid to enhance stacking storage efficiency and to ensure a secure fit to a paired container.





**PAPER
MACHINERY
CORPORATION**

Contact your dedicated Paper Machinery Corporation sales representative
for [more information](#) or to [schedule a demonstration](#).

papermc.com

8900 West Bradley Road | Milwaukee, WI 53224 USA